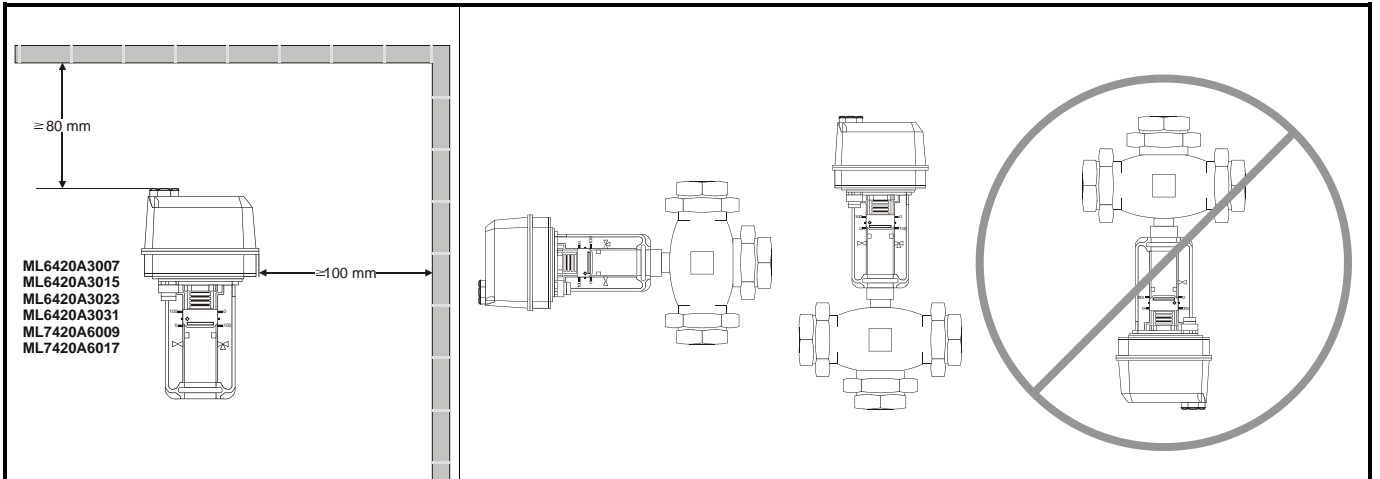


D Montageanweisung  
 F Instructions d'installation  
 I Istruzioni di montaggio  
 NL Installatievoorschrift  
 DK Installationsinstruktus  
 N Installationsinstruktioner  
 FIN Asennusohje  
 S Installation instruktioner  
 E Instrucciones de montaje

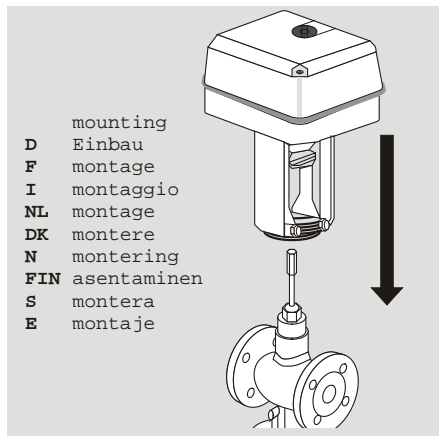
## ML7420A6009T/ML7420A6017T

### Electric Linear Valve Actuators

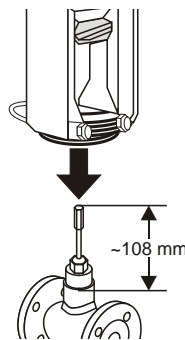
#### INSTALLATION INSTRUCTIONS



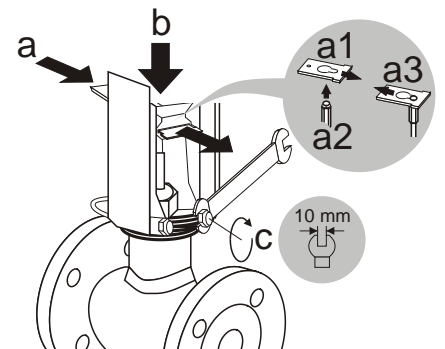
#### A1-A6: Installation



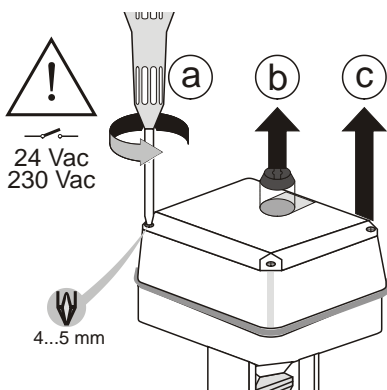
#### A1



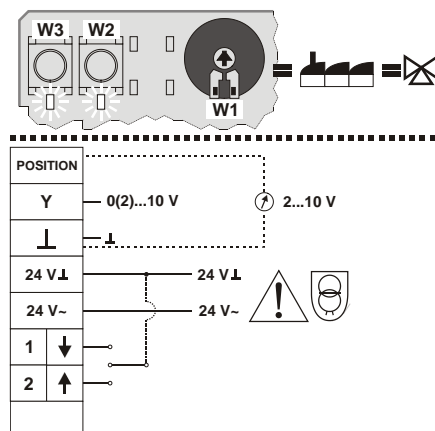
#### A2



#### A3



#### A4: ML7420A6009T, A6017T (0/2...10 V)



<p><b>A5a: ML7420A6009T, A6017T (0/2...10 V)</b></p>	<p><b>A5b: ML7420A6009T, A6017T (0/2...10 V)</b></p>	<p><b>A5c: ML7420A6009T, A6017T (0/2...10 V)</b></p>
<p><b>A6</b></p>	<p><b>B: Manual</b></p>	
<p><b>C1-2: Dismounting</b></p> <p>dismounting  D Ausbau  F démontage  I smontaggio  NL demontage  DK afmontere  N demontere  FIN purkaminen  S nedmontera  E desmontaje</p>	<p><b>C1</b></p>	<p><b>C2</b></p> <p>A3 → A4 → A2 → A1</p>

Manufactured for and on behalf of the Environmental & Energy Solutions Division of Honeywell Technologies Sàrl, Rolle, Z.A. La Pièce 16, Switzerland by its Authorized Representative:

**Automation and Control Solutions**

Honeywell GmbH  
Böblinger Straße 17  
71101 Schönaich  
Germany  
Phone: (49) 7031 63701  
Fax: (49) 7031 637493  
<http://ecc.emea.honeywell.com>  
Subject to change without notice. Printed in Germany

MU1B-0562GE51 R0116B